

**INTERGAS®**  
BOILERS

**THE SMART CHOICE  
FOR HEATING AND HOT WATER**



**RANGE**

**YEARS OF QUALITY,  
INNOVATION AND ECONOMY**

**THE RIGHT  
BOILER  
FOR YOUR  
HOME**

## CONTENTS

Introduction	4
Choosing the right boiler	12
Xclusive	16
Eco RF	20
HRE	24
HRE Combi	26
HRE SB	28
HRE OV	30
Controls	32
Installer Training & Support	36
Customer Support	38
Flue Terminal Options	40
Installer Spares	42

**INNOVATION  
PROVEN  
OVER TIME**

INTERGAS HEADQUARTERS, THE NETHERLANDS

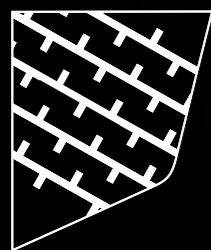


### **THE SMART CHOICE FOR HEATING AND HOT WATER**

You may not be familiar with Intergas, but we hope that we can show why we're the brand leading boiler manufacturer in the Netherlands, our home country, and why you'll never regret going Dutch. For over 50 years we've been pioneers in innovative boiler design but, in 1989, we developed the ultimate boiler. It was a completely new kind of condensing boiler, totally unique, one that was so simple yet advanced, it remains at the cutting edge of boiler technology today. What this means is that all our boilers have a maximum of four moving parts (some only have three) and, with fewer parts, there's less to go wrong. Then there's our bithermic heat exchanger, the heart of every boiler, which enables our boilers to condense virtually all the time, using less energy, lowering emissions and saving you money.

If you're looking for an efficient and economical boiler that will look after you, your family and the environment, then Intergas is the smart choice.

**GROUND BREAKING  
TECHNOLOGY,  
INTELLIGENT  
DESIGN.**



**BITHERMIC  
HEAT  
EXCHANGER**

### **BUILT TO LAST, GUARANTEED TO DELIVER**

Is anything built to last these days? Our heat exchanger is. Made of aluminium and copper, it's as reliable as they come. So reliable that each one has a 10-year warranty. It's also unique; instead of having two separate heat exchangers, like the majority of competitors, ours is bithermic and with its greater surface area it enhances the boiler's ability to condense for longer. In fact, our combination boiler condenses virtually 100% of the time while it's producing hot water, and that's an energy-saving feature that's hard to beat.



## SOPHISTICATED SIMPLICITY

XCLUSIVE

INTERGAS



### RELY ON LESS FOR MORE

Did you know that a faulty diverter valve is one of the top reasons for boiler breakdowns? The Intergas boiler doesn't have a diverter valve. It doesn't have a valve motor, auto-air vent or secondary hot water plate heat exchanger either. The simplicity of our boiler has been at the core of our design philosophy for over 30 years because, with fewer parts comes greater reliability and peace of mind.



### CLEVER THINKING

No matter how efficient a boiler is, it can be improved with the addition of OpenTherm controls. OpenTherm is a protocol that allows communication between the room thermostat and boiler, during a heating demand the boiler output is precisely controlled to allow just enough load to achieve the required target temperature, this in turn, reduces wear and tear on the boiler and increases longevity, while lowering your fuel bill and giving you even more control over your heating system. All Intergas boilers are OpenTherm compatible.

### NEVER LEAVES YOU COLD

No one wants to be without hot water, but if the pump in the boiler fails, you will be, unless you have an Intergas combination (combi) boiler. All our combis have a separate circuit for direct hot water and, should the pump stop working, it will not prevent the hot water production process.



The Energy Saving Trust (EST) is an independent organisation committed to helping all of us save energy and lower emissions. Its advice is impartial and in support of the UK's target of reducing carbon emissions to net zero by 2050. The EST endorses our best-selling HRE and Eco RF boiler ranges.



## PLANET PLEASING

LOWEST  
NO<sub>x</sub>  
LEVELS  
ON THE  
MARKET



We all have our part to play in protecting our planet and, by insulating our properties and using the most energy-efficient appliances, we are working towards decarbonising our homes. While carbon emissions are harmful, so too are emissions of nitrogen oxides, or NO<sub>x</sub>, mainly from transport and home heating. At Intergas we are always exploring new ways of making our boilers cleaner and leaner and we have developed a boiler with the lowest NO<sub>x</sub> emissions on the market. Our Xclusive range of boilers reduces NO<sub>x</sub> emissions to as little as 17.06mg/kWh\*.

*\* NO<sub>x</sub> emissions range between 17.06-20.33mg/kWh, depending on the Xclusive boiler model.*

## A FUTUREPROOF, FLEXIBLE BOILER

If the boiler you have is perfect for your property now, what about later, when you add an extension, install a shower room, need more radiators? As your heat and hot water needs change, the one thing you possibly won't need to change is your Intergas boiler. Every single one of our boilers can easily be reconfigured from, say, a combination (combi) boiler to a system boiler. Our HRE and Eco RF combis can also be converted to a system boiler, Open Vent, Open Vent combi, or a multi point water heater. Futureproof and flexible, they'll look after you for years.



## CHOOSING THE RIGHT BOILER

There are three kinds of boiler: combi, a system and heat only (sometimes called a 'regular' or 'open-vent') boiler. More combis are installed in the UK than any other kind, but that doesn't mean it's the right choice for every home. The size of your property, the number of radiators and bathrooms and what you and your family need from your heating and hot water system, must all be taken into account. Your installer will be able to advise you on which boiler is right for you, as will our team on the Intergas Helpdesk. Here's an outline of the benefits of each boiler type.



## COMBI



### Combination Boiler

A combi combines a high-efficiency water heater with a central heating boiler in a single compact unit. As hot water is supplied directly from the boiler, there's no need for a hot water cylinder in the airing cupboard or loft, making it the ideal solution for a home with limited space. And, as combis only heat the water as you need it, it's an economical way of enjoying a constant supply of hot water.

## SYSTEM



HRE SB



BOILER

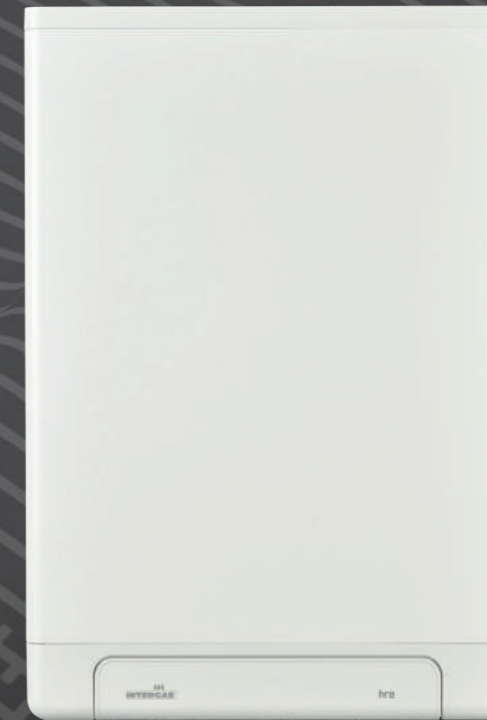


CYLINDER

### System Boiler

A system boiler is a heat only boiler that has a built-in pump and expansion vessel. This type of boiler is usually specified for larger homes with multiple bathrooms and is normally used in conjunction with an unvented hot water cylinder to facilitate the higher demands.

## OPEN VENT



HRE OV



BOILER



CYLINDER



FEED TANK

### Heat only Boiler

An open vent boiler is a heat only boiler that has no integral pump or expansion vessel, it is specifically designed for the replacement market, where a roofspace header tank is used. This type of boiler is usually specified for larger homes with multiple shower and bathrooms and is normally used in conjunction with an open vented hot water cylinder and cold feed water tank.



**XCLUSIVE**  
A NEW LEVEL OF EFFICIENCY



**CUTTING-EDGE  
ENERGY  
EFFICIENCY**



Our Xclusive boiler is Xclusive by name and exclusive by nature. The latest addition to our range of high-efficiency boilers retains all the benefits of the original design engineering and is packed with many new energy-saving features. The radio frequency (RF) module, which comes as standard, allows you to manage your central heating remotely when its paired with our Intergas Gateway and ComfortTouch app. Your installer can also monitor your boiler's performance remotely, using the Intergas Service Dashboard, to ensure optimum efficiency is maintained at all times. OpenTherm input enable your boiler and room thermostat to communicate intelligently, so the whole heating system reacts faster, using less energy and saving you money. The modulation ratio of 1:9 further increases the efficiency of the boiler. On top of all that, there's a 10-year parts and labour warranty too.

**XCLUSIVE** 24 30 36



4 MOVING PARTS



COMFORT TOUCH APP



FAST FLOW RATE



BITHERMIC HEAT EXCHANGER



FROST PROTECTION

**2 EXTRA YEARS' WARRANTY**  
WHEN YOU INSTALL AN INTERGAS FILTER

**10 YEAR WARRANTY**



HEAT EXCHANGER WARRANTY



CONDENSES VIRTUALLY 100% DURING DHW



LOW NO<sub>x</sub> EMISSIONS



TOUCH SCREEN



Choice of controls - see page 32 for more details



GATEWAY



HONEYWELL ROUND



HONEYWELL 927



COMFORT TOUCH



WISER HIT ONE

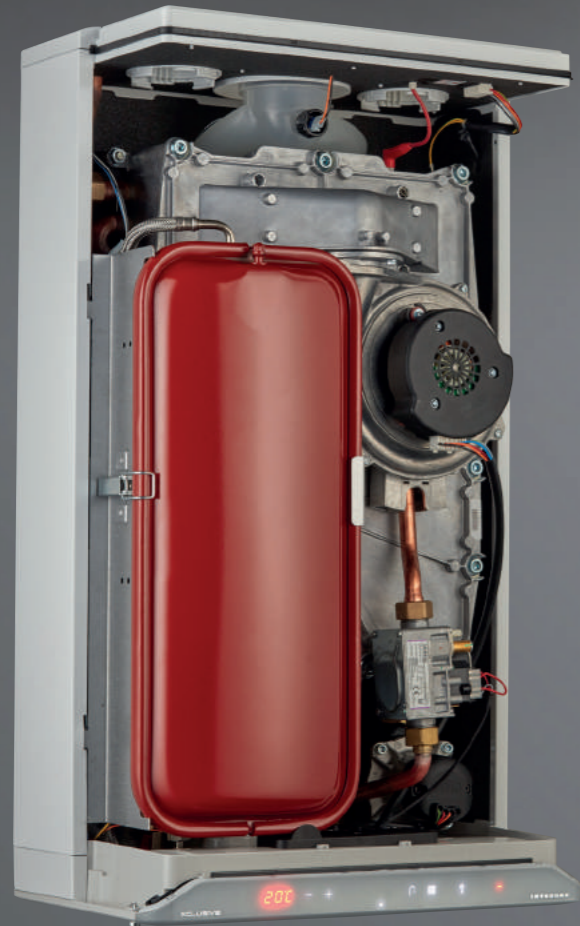


WISER MULTI-ZONE HIT ONE

The Xclusive is available in three power outputs. It has an integral expansion vessel, combined PRV and condensate connection and integral filling loop.

# XCLUSIVE

A NEW LEVEL OF EFFICIENCY



## Technical features

- > OpenTherm ready
- > 1:9 modulation ratio
- > Built-in filling loop
- > Combined PRV & condensate connection
- > Integral expansion vessel
- > Central flue
- > RF module for remote access and control via the service dashboard (with Intergas Gateway)
- > Up to 10m flueing distance or 50m with our twin flue option
- > Easy to service and maintain
- > LPG conversion available
- > Built-in programmer
- > Exceptional flow rate 10.2-13.5 l/min
- > Priority domestic hot water (additional set up required)

## EFFICIENCY RATINGS



## Three-in-One boiler

- > Combi
- > System
- > Multipoint water heater

## XCLUSIVE

24

30

36

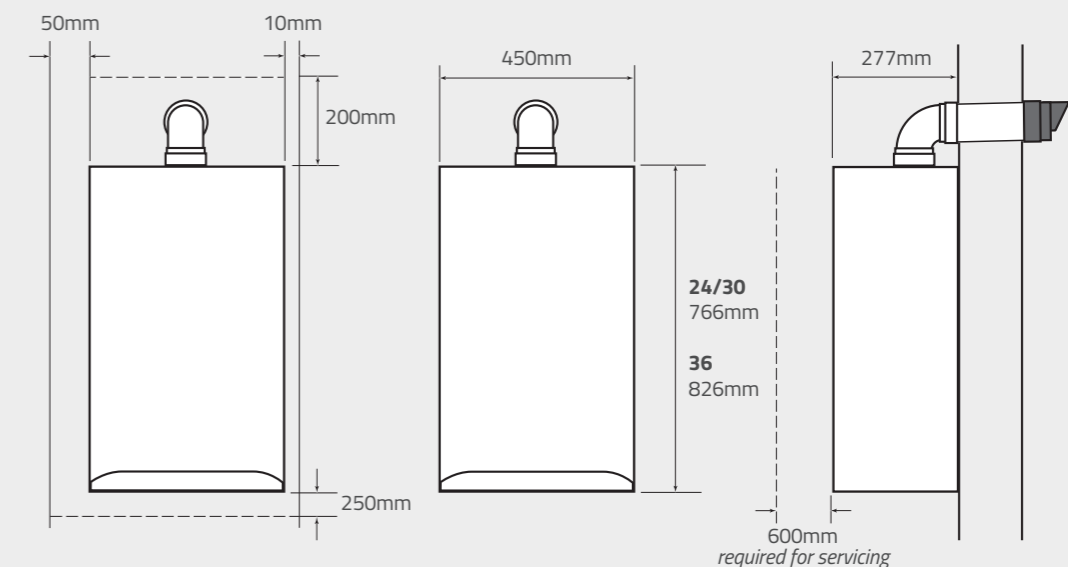
Heating rated output	kW	18	23	27
Safety class	IP	IP44	IP44	IP44
NOx class		6	6	6
NOx level	mg/kWh	17.06	20.33	19.48
<b>Domestic hot water</b>				
Nom. load input rating	kW	3.6 - 25.1	3.6 - 30.5	3.6 - 32.7
Min. DHW flow rate	ltrs/min	1.5	1.5	1.5
ΔT 25°C	ltrs/min	14.3	17.4	18.7
ΔT 35°C	ltrs/min	10.2	12.4	13.5
Domestic hot water temperature (default)	°C	55	55	55
Load profile		L	XL	XL
Energy efficiency rating class		A	A	A
<b>Central heating</b>				
Nom. load (Gross)	kW	4.0 - 20.7	4.0 - 25.6	4.0 - 29.5
Nom. load (Net)*	kW	3.6 - 18.7	3.6 - 23.7	3.6 - 27.0
Rated power*	kW	4.0 - 18.2	4.0 - 23.1	4.0 - 26.6
Max. central heating water pressure	bar	2.5	2.5	2.5
Max. central heating water temperature	°C	80	80	80
Energy efficiency rating class		A	A	A
<b>Additional data</b>				
Solar compatible		yes	yes	yes
Seasonal heating energy efficiency class		A	A	A
Heat rated output (power)	P rated kW	18	23	27
Seasonal heating energy efficiency	ηs %	93	93	93
Annual energy consumption	Q <sub>HE</sub> GJ	38	48	58
Sound power level	L <sub>WA</sub> dB	56	52	58
Maximum load profile		L	XL	XL
Water heating energy efficiency class		A	A	A
Water heating energy efficiency	η <sub>WH</sub> %	85	86	87
Annual electricity consumption	A <sub>ec</sub> kWh	13	17	15
Annual fuel consumption	A <sub>fc</sub> kWh	3078	4998	4930

\* The CH output is factory set to 70% of the maximum capacity.

See page 40 for all flue options.

Technical specifications subject to change.

## CLEARANCES & DIMENSIONS



**ECO RF**  
COMPACT EFFICIENCY



**MINIMUM EMISSIONS,  
MAXIMUM SAVINGS**



**Compact efficiency**

The Eco RF is compact, green and smart. It reduces CO<sub>2</sub> emission levels to an absolute minimum and, with the radio frequency (RF) module, which comes as standard, you can manage your central heating remotely when its paired with our Intergas Gateway and ComfortTouch thermostat and app. Your installer can also monitor your boiler's performance remotely, using the Intergas Service Dashboard, to ensure optimum efficiency is maintained at all times. This boiler is endorsed by the EST and comes with a 10-year parts and labour warranty.

**ECO RF 24 30 36**



4 MOVING PARTS



COMFORT TOUCH APP



FAST FLOW RATE



FROST PROTECTION



PIPE COVER

**2 EXTRA YEARS' WARRANTY**  
WHEN YOU INSTALL AN INTERGAS FILTER



**10 YEAR WARRANTY**



HEAT EXCHANGER WARRANTY



CONDENSES VIRTUALLY 100% DURING DHW



WHISPER QUIET



BITHERMIC HEAT EXCHANGER

**Choice of controls** - see page 32 for more details



GATEWAY



HONEYWELL ROUND



HONEYWELL 927



COMFORT TOUCH



WISER HIT ONE

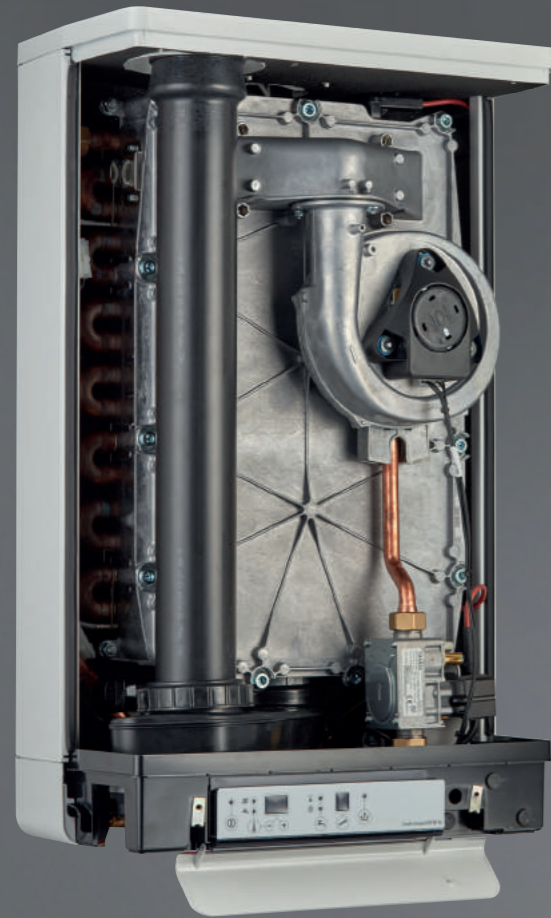


WISER MULTI-ZONE HIT ONE

The Eco RF is available in three power outputs. It has vacuum insulation to guarantee whisper-quiet operation and has virtually no standby losses.

# ECO RF

COMPACT EFFICIENCY



## Technical features

- > OpenTherm ready
- > RF module for remote access and control via the Service dashboard (with Intergas Gateway)
- > Up to 10m flueing distance or 50m with our twin flue option
- > Easy to service and maintain
- > LPG conversion available
- > Rear jig with built-in expansion vessel available as an option (jig depth 95mm added to boiler depth)
- > Digital system pressure gauge
- > Priority domestic hot water (additional set up required)

## EFFICIENCY RATINGS



## Five-in-One boiler

- > Combi
- > Open vent
- > System
- > Open vent combi
- > Multipoint water heater

## ECO RF

24

30

36

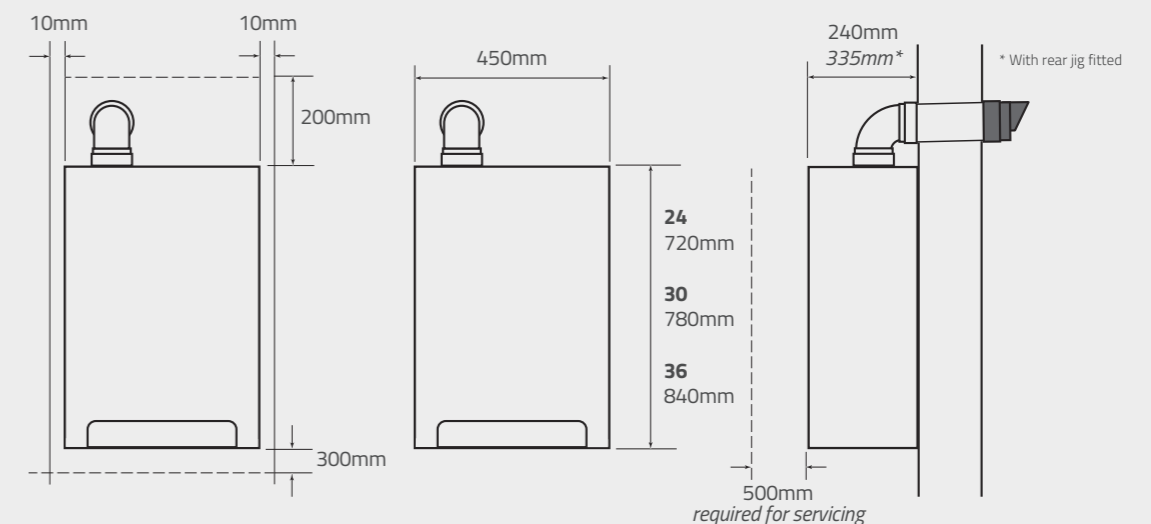
Heating rated output	kW	18	23	27
Safety class	IP	IP44	IP44	IP44
NOx class		6	6	6
NOx level	mg/kWh	28.37	27.37	35.56
<b>Domestic hot water</b>				
Input	kW	5.6 - 22.1	7.1 - 28.0	7.6 - 32.7
Min. DHW flow rate	ltrs/min	1.5	1.5	1.5
ΔT 25°C	ltrs/min	12.6	16	18.7
ΔT 35°C	ltrs/min	9	11.4	13.4
DHW temperature (factory setting)	°C	55	55	55
Load profile		L	XL	XL
Energy efficiency class rating		A	A	A
<b>Central heating</b>				
Nom. input rating (lower value)*	kW	5.6 - 18.7	7.1 - 23.7	7.6 - 27.0
Rated power*	kW	6.5 - 18.2	7.7 - 23.1	8.2 - 26.6
Max. central heating water pressure	bar	2.5	2.5	2.5
Max. central heating water temperature	°C	80	80	80
Energy efficiency class rating		A	A	A
<b>Additional data</b>				
Solar compatible		yes	yes	yes
Seasonal heating energy efficiency class		A	A	A
Heat rated output (power)	P rated kW	18	23	27
Seasonal heating energy efficiency	η <sub>s</sub> %	93	93	93
Annual energy consumption	Q <sub>HE</sub> GJ	38	48	55
Sound power level	L <sub>WA</sub> dB	45	45	50
Maximum load profile		L	XL	XL
Water heating energy efficiency	η <sub>WH</sub> %	84	86	87
Annual electricity consumption	A <sub>ec</sub> kWh	13	17	15
Annual fuel consumption	A <sub>fc</sub> kWh	3159	4998	4930

\* The CH output is factory set to 70% of the maximum capacity.

See page 40 for all flue options. Please note, an offset flue should be used if a centralised position is required.

Technical specifications subject to change.

## CLEARANCES & DIMENSIONS



**HRE RANGE**  
GIVING YOU MORE SPACE



**THE SMART CHOICE ALL ROUND**



The HRE range of boilers has been an outstanding favourite with homeowners and installers alike. It's robust, it's compact and it's highly efficient. And it's very flexible too; with a change to its parameter settings, it can be converted from a combi, to a system boiler, open vent, open vent combi and multipoint water heater. It's endorsed by the EST and comes with a 7-year parts and labour warranty.

**HRE**



4 MOVING PARTS



FROST PROTECTION



PIPE COVER



**HIGH EFFICIENCY**  
CONDENSES VIRTUALLY 100% DURING DHW

**2 EXTRA YEARS' WARRANTY**  
WHEN YOU INSTALL AN INTERGAS FILTER



**7 YEAR WARRANTY**



HEAT EXCHANGER WARRANTY



BITHERMIC HEAT EXCHANGER

Choice of controls - see page 32 for more details

HRE COMBI



WISER HIT ONE



WISER MULTI-ZONE HIT ONE

SB & OV



WISER HIT TWO



WISER MULTI-ZONE HIT TWO

The HRE is available in four power outputs. Its flexibility means that it can easily satisfy a wide range of heating and hot water demands.

# HRE COMBI

GIVING YOU MORE SPACE



## Technical features

- > OpenTherm ready
- > Up to 10m flueing distance or 50m with our twin flue option
- > Easy to service and maintain
- > LPG conversion available
- > Up to 40kW output
- > Built-in programmer
- > Rear jig with built-in expansion vessel available as an option (jig depth 95mm added to boiler depth)
- > Digital system pressure gauge
- > Priority domestic hot water (additional set up required)

## EFFICIENCY RATINGS



## Five-in-One boiler

- > Combi
- > Open vent
- > System
- > Open vent combi
- > Multipoint water heater

## HRE COMBI

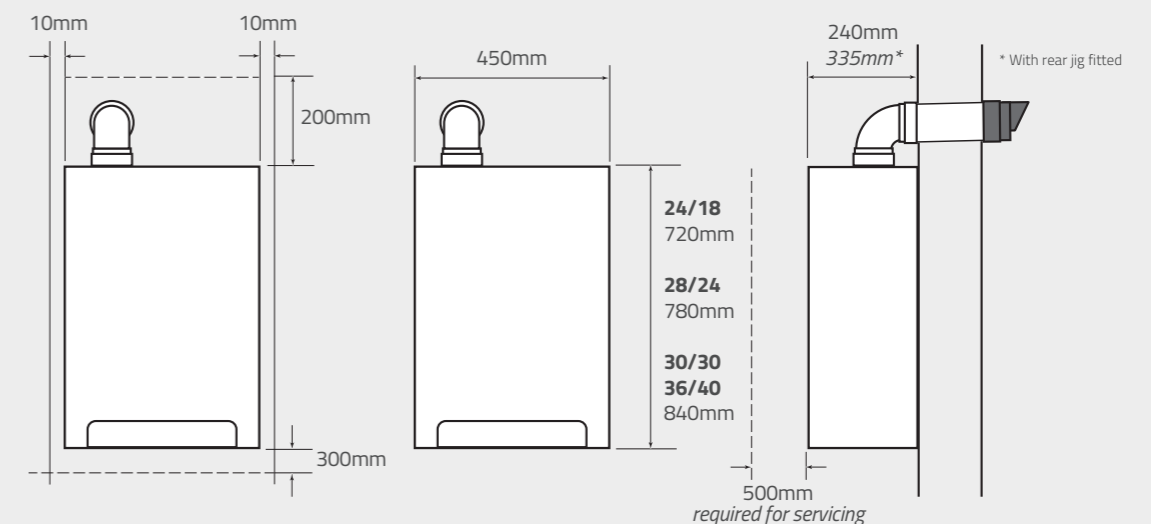
24/18 28/24 36/30 36/40

Rated output		18	23	27	41
Safety class	IP	IP44	IP44	IP44	IP44
NOx class		6	6	6	6
NOx level	mg/kWh	28.37	27.37	35.56	53.44
<b>Domestic hot water</b>					
Input	kW	5.6 - 22.1	7.1 - 28.0	7.6 - 32.7	7.8 - 32.7
Min. DHW flow rate	ltrs/min	1.5	1.5	1.5	1.5
ΔT 25°C	ltrs/min	12.6	16	18.7	18.7
ΔT 35°C*	ltrs/min	9.0	11.4	13.4	13.4
DHW temperature (default)	°C	55	55	55	55
Load profile		L	XL	XL	XL
Energy efficiency class rating		A	A	A	A
<b>Central heating</b>					
Nom. input rating (lower value)*	kW	5.6 - 18.7	7.1 - 23.7	7.6 - 27.0	7.8 - 42.5
Rated power*	kW	6.1 - 18.2	7.7 - 23.1	8.2 - 26.6	8.3 - 40.9
Max. central heating water pressure	bar	2.5	2.5	2.5	2.5
Max. central heating water temperature	°C	80	80	80	80
Energy efficiency rating class		A	A	A	A
<b>Additional data</b>					
Seasonal heating energy efficiency class		A	A	A	A
Heat rated output (power)	P rated kW	18	23	27	41
Solar compatible		yes	yes	yes	yes
Seasonal heating energy efficiency	η <sub>s</sub> %	93	93	93	92
Annual energy consumption	Q <sub>HE</sub> GJ	38	48	55	86
Sound power level	L <sub>WA</sub> dB	45	45	50	55
Maximum load profile		L	XL	XL	XL
Water heating energy efficiency	η <sub>WH</sub> %	84	86	87	87
Annual electricity consumption	A <sub>ec</sub> kWh	13	17	15	1615
Annual fuel consumption	A <sub>fc</sub> kWh	3159	4998	4930	4930

\* The CH output is factory set to 70% of the maximum capacity.

Intergas has a wide range of vertical and horizontal flues; there is also an offset flue kit available which will ensure the flue is in a centralised position. Technical specifications subject to change.

## CLEARANCES & DIMENSIONS



# HRE SB

FLEXIBLE HEATING

INTERGAS

hre



## Technical features

- > OpenTherm ready
- > Up to 10m flueing distance or 50m with our twin flue option
- > Easy to service and maintain
- > LPG conversion available
- > Up to 40kW output
- > Rear jig with built-in expansion vessel available as an option (jig depth 95mm added to boiler depth)
- > Digital system pressure gauge
- > Priority domestic hot water (additional set up required)

### EFFICIENCY RATING



## HRE SB

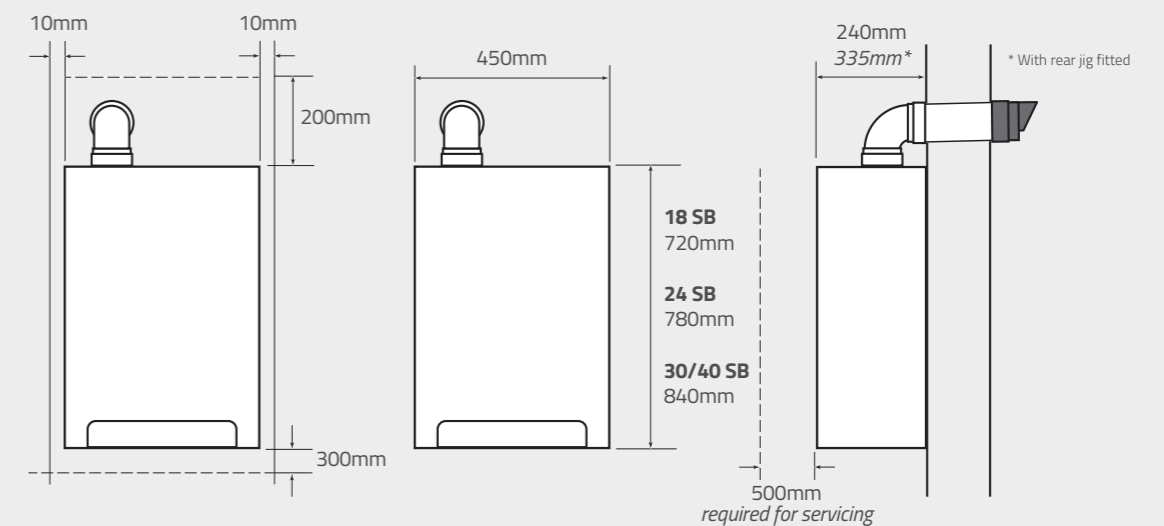
18 24 30 40

Rated output		18	23	27	41
Safety class	IP	IP44	IP44	IP44	IP44
NOx class		6	6	6	6
NOx level	mg/kWh	28.37	27.37	35.56	53.44
<b>Central heating</b>					
Nom. input rating (lower value)	kW	5.6 - 18.7	7.1 - 23.7	7.5 - 27.0	7.8 - 42.5
Rated power*	kW	6.1 - 18.2	7.7 - 23.1	8.2 - 26.6	8.3 - 40.9
Max. central heating water pressure	bar	2.5	2.5	2.5	2.5
Max. central heating water temperature	°C	80	80	80	80
Energy efficiency rating class		A	A	A	A
<b>Additional data</b>					
Seasonal heating energy efficiency class		A	A	A	A
Heat rated output (power)	P rated kW	18	23	27	41
Seasonal heating energy efficiency	η <sub>s</sub> %	93	93	93	92
Annual energy consumption	Q <sub>HE</sub> GJ	38	48	55	86
Sound power level	L <sub>WA</sub> dB	45	45	50	55
Annual electricity consumption	A <sub>ec</sub> kWh	13	17	15	15
Annual fuel consumption	A <sub>fc</sub> kWh	3159	4998	4930	4930

\* The CH output is factory set to 70% of the maximum capacity.

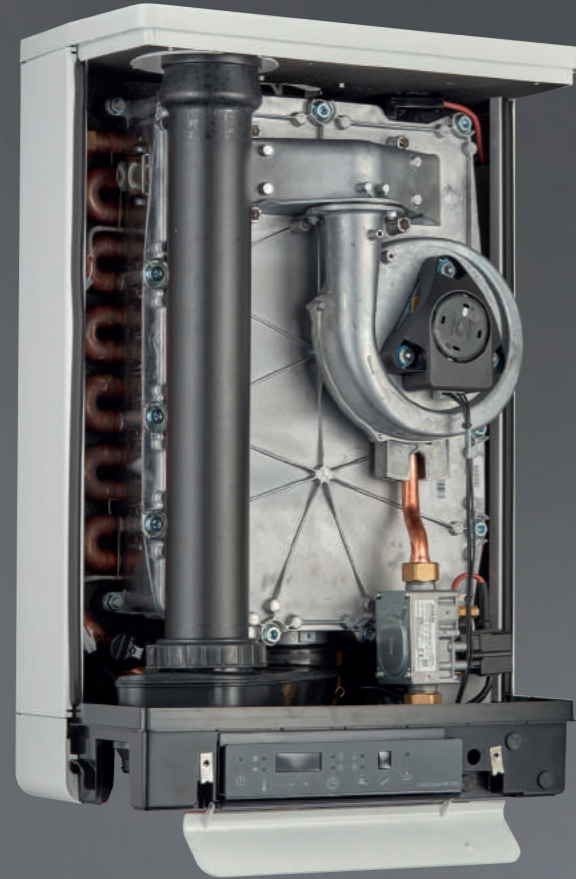
Intergas has a wide range of vertical and horizontal flues; there is also an offset flue kit available which will ensure the flue is in a centralised position. Technical specifications subject to change.

## CLEARANCES & DIMENSIONS



# HRE OV

PERFECT REPLACEMENT



## Technical features

- > OpenTherm ready
- > Up to 10m flueing distance or 50m with our twin flue option
- > Easy to service and maintain
- > LPG conversion available
- > Up to 27kW Output
- > Priority domestic hot water (additional set up required)

### EFFICIENCY RATING



## HRE OV

18

24

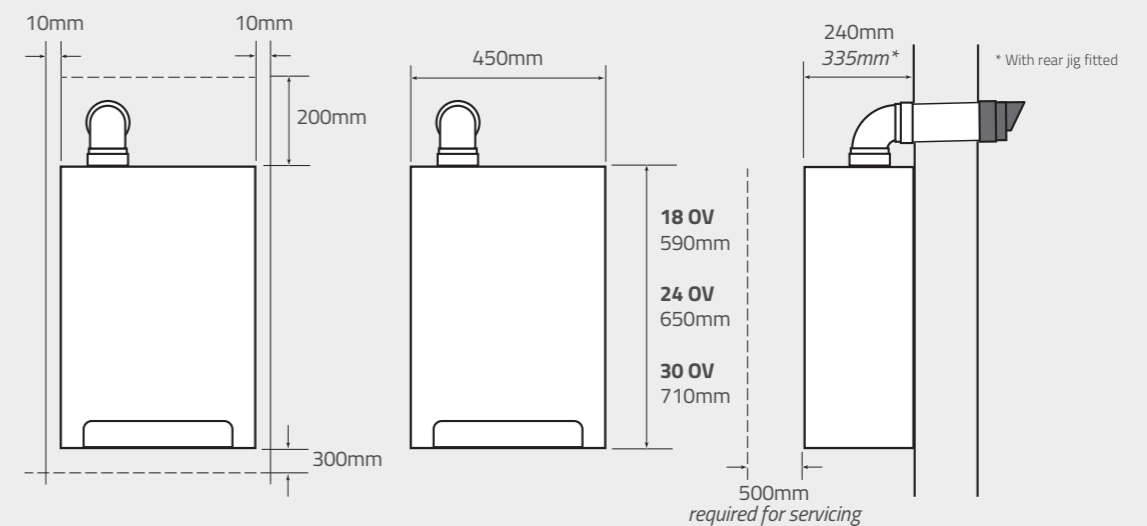
30

Rated output		18	23	27
Safety class	IP	IP44	IP44	IP44
NOx class		6	6	6
NOx level	mg/kWh	28.37	27.37	35.56
<b>Central heating</b>				
Nom. input rating (lower value)*	kW	5.6 - 18.7	7.1 - 23.7	7.6 - 27.0
Rated power*	kW	6.1 - 18.2	7.7 - 23.1	8.2 - 26.6
Max. central heating water pressure	bar	2.5	2.5	2.5
Max. central heating water temperature	°C	80	80	80
Energy efficiency rating class		A	A	A
<b>Additional data</b>				
Seasonal heating energy efficiency class		A	A	A
Heat rated output (power)	P rated kW	18	23	27
Seasonal heating energy efficiency	η <sub>s</sub> %	93	93	93
Annual energy consumption	Q <sub>HE</sub> GJ	38	48	55
Sound power level	L <sub>WA</sub> dB	45	45	50
Annual electricity consumption	A <sub>ec</sub> kWh	13	17	15
Annual fuel consumption	A <sub>fc</sub> kWh	3159	4998	4903

\* The CH output is factory set to 70% of the maximum capacity.

Intergas has a wide range of vertical and horizontal flues; there is also an offset flue kit available which will ensure the flue is in a centralised position. Technical specifications subject to change.

## CLEARANCES & DIMENSIONS





# YOU'RE ALWAYS IN CONTROL

At Intergas, we're determined to make your life as comfortable as possible! That's why we have a great range of practical and easy-to-use controls to meet your heating needs. You can choose from a straightforward single room thermostat to a system that gives you complete control of every room in your home.



## ComfortTouch

ComfortTouch is our easily-installed wired room thermostat. Its slim (only 13mm deep), unobtrusive design, which is available in black or white, features a tactile touchscreen display. Simply tap the plus or minus icons to adjust the room temperature up or down; if you'd prefer not to show the temperature, you can adjust the settings within the thermostat.

As the ComfortTouch thermostat is OpenTherm, it will also display any boiler fault codes should they occur. This is really useful if the boiler is in a remote location, like the garage or loft.

ComfortTouch and its app can only be used with boilers in the Xclusive and Eco RF ranges which have a built-in RF module.



Honeywell CMS927



Honeywell Round (wireless)

## Servicing with peace of mind

Our Intergas Gateway is an ingenious control console that connects your boiler with our own servers via your Wi-Fi router, and constantly monitors boiler performance.

If any faults are detected, your installer can be notified straight away, significantly reducing the risk of a breakdown.

## Honeywell Controls

If you're looking for a simple, affordable upgrade for your existing room thermostat that will give you everything you need to guarantee accurate control of your heating system, then look no further than the Honeywell Round. This is a single zone thermostat that is available as either wired or wireless. The wireless thermostat can be paired directly with the Eco RF and Xclusive boilers, thanks to the RF module which is fitted as standard.

The Honeywell CMS927 is a 7-Day Wireless Programmable Room Thermostat. It can also be paired with the Eco RF and Xclusive boilers and, as it's OpenTherm compliant, it will further improve the energy-saving features of these boilers.





## Drayton Wiser

Drayton Wiser makes home personalisation more affordable. You can begin with a smart room thermostat and later create a full multi-zone system by adding smart radiator thermostats. There are four options available. The first is the wireless Wiser Room Thermostat. You can set time and temperature schedules for each day of the week and, using the Wiser app, which works with Amazon Alexa and Google Assistant, you can view the current room temperature or adjust the target temperature from the touch screen display. You can also use the boost facility to temporarily override the current target temperature.



Second, there's the Wiser Thermostat Kit 1, which provides control for a single heating zone. If you opt for the Multi-Zone Kit 1, you will not only be able to control the on/off times with the Wiser app, but also adjust each room individually when smart radiator thermostats are fitted.

Third, the Wiser Thermostat Kit 2 controls two zones - heating and hot water - separately. As with Kit 1, you can opt for the Multi-Zone Kit 2 to control the timed heating and hot water on/off periods via the Wiser app, but you can also adjust each room individually once smart radiator thermostats have been installed. Finally, the Wiser Thermostat Kit 3 adds further control for up to three heating zones.



## ENJOY EXTRA PEACE OF MIND

### Intergas System Filter for a healthy central heating system

Debris in the water can severely affect the performance of your central heating system and that's why an in-line filter must be fitted when the boiler is installed. In partnership with Fernox, we have developed the Intergas System Filter, which prevents contaminants from the system entering the boiler. Our filter will not only help to optimise the energy efficiency and longevity of the whole central heating system, it will also add an additional two years to the boiler's warranty, giving you up to 12 years' protection completely free.

Made from nickel-plated brass and stainless steel, this filter is not only 100% recyclable, it's built to last. Just like our boilers.





BOOK A COURSE  
ON OUR WEBSITE



## INSTALLER TRAINING & SUPPORT

### Keep your career on course

Installing and servicing Intergas boilers can only be undertaken by installers who are registered with Gas Safe and, preferably, those who have taken advantage of our intensive training courses. Organised in our UK-wide, fully equipped specialist centres, they cover every aspect of installation, servicing and maintenance. To boost the theory, we also promote a more hands-on approach to make each course more practical and effective.

To book your free Intergas training course give us a call on 01527 888000 or simply visit [www.intergasheating.co.uk/installer/support/courses/](http://www.intergasheating.co.uk/installer/support/courses/)

### Continual Technical Support

Even though our comprehensive training courses will give you all the 'know how' you'll need, you may still have the odd question further down the line. Rest assured, our on-site Technical Support Team are always on hand to help with any questions.

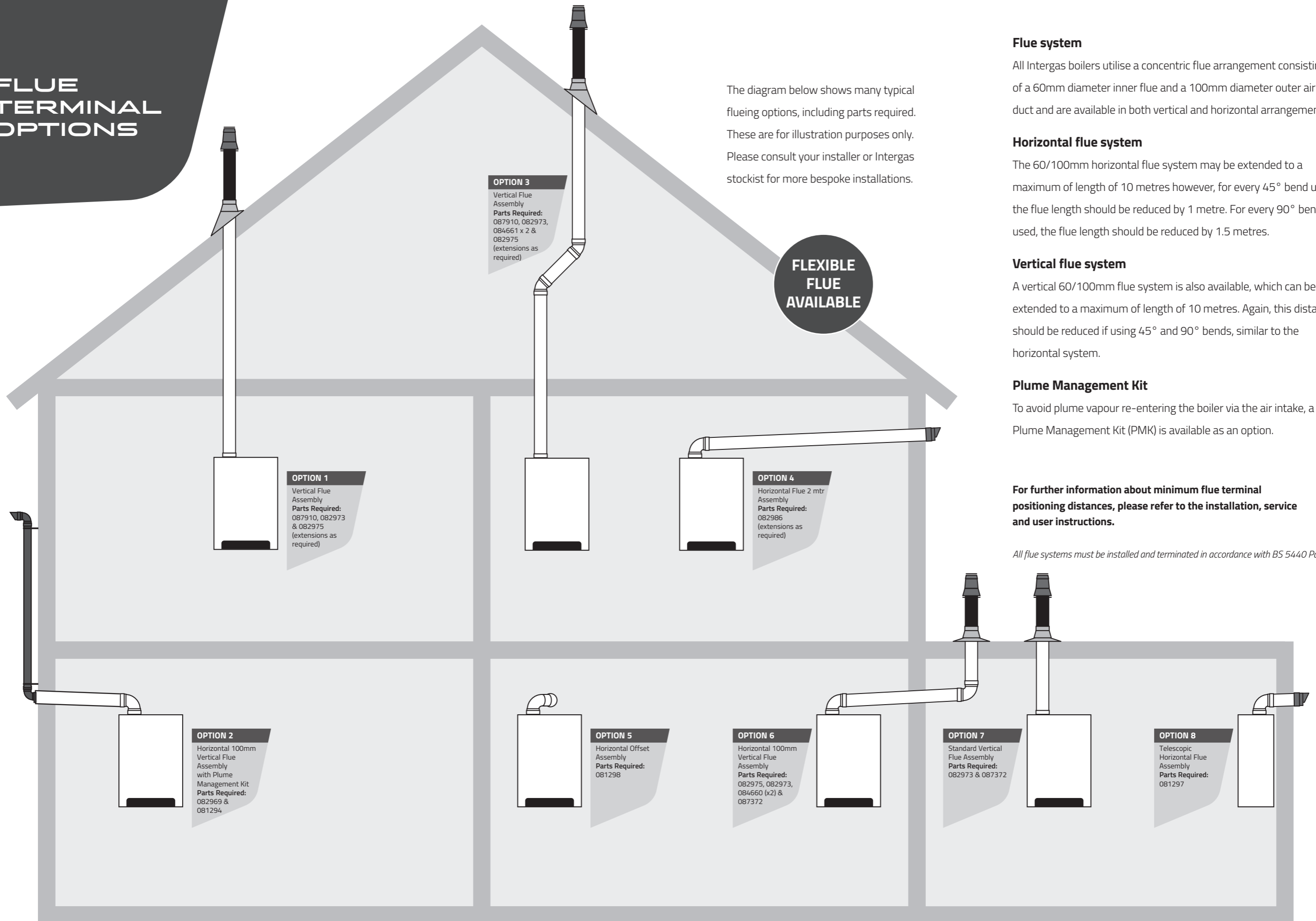


## WE'RE ALWAYS THERE FOR YOU

We believe that choosing an InterGas boiler for your heating and hot water is one of the best decisions you can make. It will look after you and your family for years to come. Whether you're already a customer or about to become one, we're always happy to answer all your questions. Live Chat with a member of our Customer Service Team or simply give us a call on 01527 888000. For more information and to find a trained InterGas installer in your area, visit [www.intergasheating.co.uk](http://www.intergasheating.co.uk)  
Opening hours Monday - Friday 8.00am - 5.00pm & Saturday 8.00am - 12.00pm.



# FLUE TERMINAL OPTIONS



The diagram below shows many typical flueing options, including parts required. These are for illustration purposes only. Please consult your installer or Intergas stockist for more bespoke installations.

### Flue system

All Intergas boilers utilise a concentric flue arrangement consisting of a 60mm diameter inner flue and a 100mm diameter outer air inlet duct and are available in both vertical and horizontal arrangements.

### Horizontal flue system

The 60/100mm horizontal flue system may be extended to a maximum of length of 10 metres however, for every 45° bend used, the flue length should be reduced by 1 metre. For every 90° bend used, the flue length should be reduced by 1.5 metres.

### Vertical flue system

A vertical 60/100mm flue system is also available, which can be extended to a maximum of length of 10 metres. Again, this distance should be reduced if using 45° and 90° bends, similar to the horizontal system.

### Plume Management Kit

To avoid plume vapour re-entering the boiler via the air intake, a Plume Management Kit (PMK) is available as an option.

**For further information about minimum flue terminal positioning distances, please refer to the installation, service and user instructions.**

*All flue systems must be installed and terminated in accordance with BS 5440 Part 1*

**OPTION 3**  
Vertical Flue Assembly  
**Parts Required:** 087910, 082973, 084661 x 2 & 082975 (extensions as required)

**FLEXIBLE FLUE AVAILABLE**

**OPTION 1**  
Vertical Flue Assembly  
**Parts Required:** 087910, 082973 & 082975 (extensions as required)

**OPTION 4**  
Horizontal Flue 2 mtr Assembly  
**Parts Required:** 082986 (extensions as required)

**OPTION 2**  
Horizontal 100mm Vertical Flue Assembly with Plume Management Kit  
**Parts Required:** 082969 & 081294

**OPTION 5**  
Horizontal Offset Assembly  
**Parts Required:** 081298

**OPTION 6**  
Horizontal 100mm Vertical Flue Assembly  
**Parts Required:** 082975, 082973, 084660 (x2) & 087372

**OPTION 7**  
Standard Vertical Flue Assembly  
**Parts Required:** 082973 & 087372

**OPTION 8**  
Telescopic Horizontal Flue Assembly  
**Parts Required:** 081297

# INSTALLER SPARES

## FLUES & ACCESSORIES



Horizontal Non Telescopic Straight Wall  
0.6m Flue (600mm) **082980**  
1m Flue (1000mm) **082969**  
2m Flue (2000mm) **082986**



500mm Flue Extension (60/100) **082979**  
1000mm Flue Extension (60/100) **082975**



Horizontal Telescopic Straight Wall  
Terminal (520mm) **081297**



Horizontal Telescopic Offset Wall  
Terminal Flue Kit (520mm) **081298**



Vertical Roof Terminal  
60/100 (including adapter) **082973**



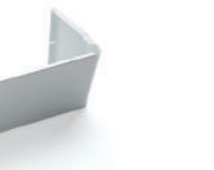
**MUST BE FITTED WITH A WEATHER SLATE**



Stand Off Bracket 24/18 Small **093186**  
Stand Off Bracket 28/24 Medium **093196**  
Stand Off Bracket 36/30 Large **093206**



Pipe/Valve Cover  
HRE **093217**



Pipe/Valve Cover HRE  
36/40 & SB40 **092677**



Vertical Adaptor  
**090547**



Outside Sensor  
**203207**



45° Bend (60/100mm) x1  
**084661**



Offset Elbow x1  
**081289**



90° Bend (60/100mm) x1  
**084660**



Weather Slate (Pitched Roof)  
**087910**



Weather Slate (Flat Roof)  
**087372**

## PLUME MANAGEMENT



Balcony Kit (1000mm) **086890**



Plume Management Kit (500mm) **081294**



Plume Management Flue Extension (1000mm)  
(including wall clamp) **081286**



Plume Deflector 60°  
**081295**



PMK PP60 90°  
**081284**



PMK PP60 60°  
(2 per box)  
**081285**



## FIXING JIGS



**Xclusive Jig**  
**092114**  
*(including valves & fittings)*  
**092104**  
*(without valves & fittings)*



**Kit A Small - Rear Jig**  
 ECO RF 24, HRE 24/18  
 & SB18

**093187**

**Kit A Medium - Rear Jig**  
 ECO RF 30, HRE 28/24  
 & SB24

**093197**

**Kit A Large - Rear Jig**  
 ECO RF 36, HRE 36/30 &  
 HRE36/40, SB30 & SB40

**093207**



**Kit B - Robokit 12 Itr**  
*(with valves) Not suitable  
 for Open Vent*

**090000**



**Kit C - Robokit 8 Itr**  
*(with valves) Not suitable  
 for Open Vent*

**090100**

## ACCESSORIES & TWIN FLUES

### Extensions (white)

- 80mm x 250mm **453973**
- 80mm x 500mm **453975**
- 80mm x 1000mm **453977**
- 80mm x 2000mm **453979**

*(including brackets)*



**Vertical Roof Terminal**  
 80/125 *(including adapter)*  
**086883**



**Horizontal Wall Terminal 80/125** **076355**



**Air Terminal 80 PP** **082856**



**80 PP Wall Bracket**  
**452203**



**90° Bend x2** *(including brackets)*  
**453992**



**45° Bend x2** *(including brackets)*  
**453990**



- Kit 410** ECO RF 24, HRE 24/18, SB18 & OV18 **076057**
- Kit 480** ECO RF 30, HRE 28/24, SB24 & OV24 **076067**
- Kit 525** ECO RF 36, HRE 36/30, 36/40, SB30, SB40 & OV30 **076077**
- Kit 315** XCLUSIVE 24 **076047**
- Kit 370** XCLUSIVE 30/36 **076914**



**Boiler Adapter 80/125**  
**090767**



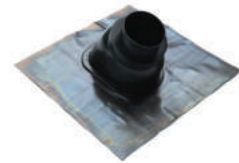
**Weather Slate 80/125**  
 (Flat Roof)  
**075333**



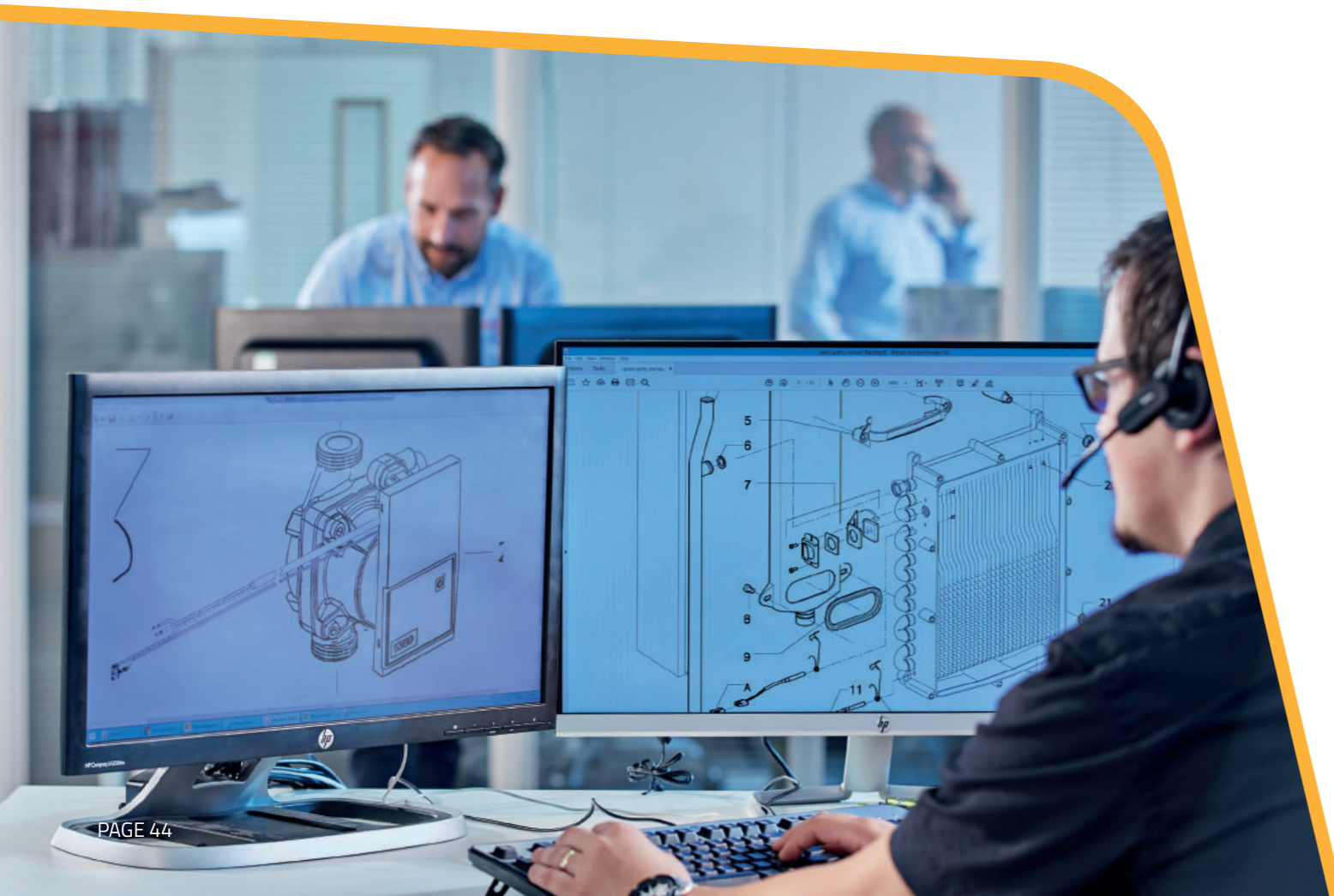
- Flexi Flue Kit**
- Expander PP 60/100** **071025**
  - Seal Flex Viton 130** **086332**
  - Concentr. Flex Kit Basic 80/125** **086381**
  - Extension Flex PP 80/130** **086384**
  - Skyline Top 80/125 PP** **086388**
  - Support Elbow 80/125** **086391**
  - Chimney Place 158** **086392**
  - Pull Cone 130** **470251**



**System Filter**  
**090897**



**Weather Slate 80/125**  
 25° - 45°  
**087909**





# INTERGAS SUPPORTS GAS SAFE

The Gas Safe Register is the official UK body for gas safety.

By law only a Gas Safe-registered engineer can install your gas boiler.

All Gas Safe-registered engineers must adhere to stringent safety criteria and be up to date with the latest industry developments to retain their gas safe registration.

All Intergas technicians and our recommended installers are Gas Safe-registered.



Tested and approved by Gas Safe Register, the new MiREG+ app has been designed to help installers of Intergas boilers, by reducing paperwork and saving valuable time and money.

It simplifies on-site documentation and improves record keeping and compliance. Plus, Intergas also pays the Building Regulation notification fee on all Intergas boilers. To benefit from all this, register now on [www.myintergasregistration.co.uk](http://www.myintergasregistration.co.uk)



Intergas is a member of Benchmark, a nationally recognised scheme that ensures best practice in the installation, commissioning and servicing of domestic heating and hot water products in line with Building Regulations in England and Wales.





**INTERGAS®**  
**BOILERS**

**Intergas Heating Ltd**

Unit 2 Easter Park  
Worcester Road  
Kidderminster  
Worcestershire DY11 7AR  
01527 888000  
info@intergas-heating.co.uk

**WWW.INTERGASHEATING.CO.UK**

*The information in this brochure was correct at the time of going to print. Intergas Heating reserves the right to make any modifications to product specifications or any other details, without prior notification. For further clarification, please enquire in writing to the head office address below.*



Member of the Rheem® family